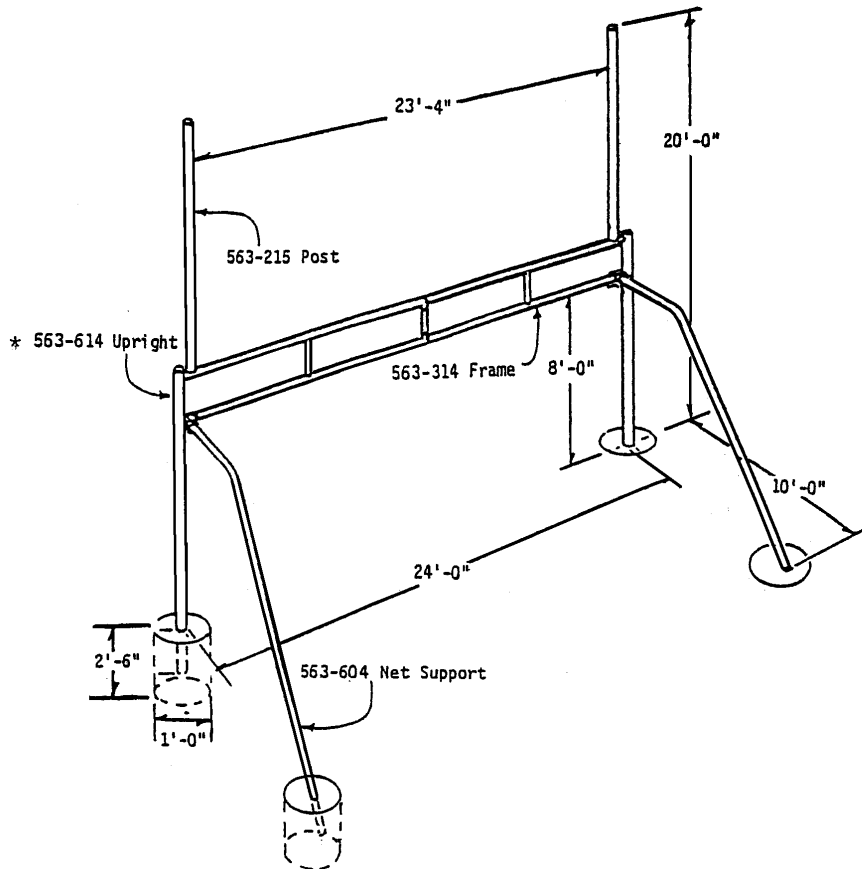


# 561-451 Combination Goal with Net Supports (Pair)

**\* IMPORTANT \***

PLEASE RETAIN THIS INSTRUCTION SHEET IN YOUR FILES. IT CONTAINS IMPORTANT REPLACEMENT PARTS INFORMATION. ALL EQUIPMENT SHOULD BE INSTALLED IN ACCORDANCE WITH THESE INSTRUCTIONS.

IT IS IMPORTANT TO USE AND MAINTAIN ALL PUBLIC PLAYGROUND EQUIPMENT PROPERLY. PLAYGROUND EQUIPMENT, WHICH IS IMPROPERLY MAINTAINED, CAN CAUSE SERIOUS INJURY. PERIODICAL INSPECTIONS, MAINTENANCE, REPAIR AND/OR REPLACEMENT OF DAMAGED PARTS IS NECESSARY FOR SAFE OPERATION OF EQUIPMENT AND SAFETY OF USERS. RESILIENT SURFACING SHOULD BE USED UNDER ALL PLAYGROUND EQUIPMENT. APPROPRIATE PUBLICATIONS, AVAILABLE AT NO CHARGE, FROM THE CONSUMER PRODUCT SAFETY COMMISSION, INCLUDE "A HANDBOOK FOR PUBLIC PLAYGROUND SAFETY." YOU CAN RECEIVE YOUR FREE COPY BY CALLING 1-301-504-7908.



**\*563-614 MUST BE INSTALLED WITH WELDED D-RINGS FACING THE REAR TOWARD 563-604 NET SUPPORTS**

PACKING LIST

1 CTN		Hardware Bag
4 PIPE	1 563-604	Net Support Posts
4 PIPE	1 563-215	Goal Post
4 WF	1 563-314	Cross Frame
4 PIPE	1 596-614	Post Support

HARDWARE BAG

4	105-017	2 3/8" Pipe Plug
4 pr	425-517	1 7/8" T-Clamps
4	116-511	5/16" x 2 3/4" Hex Head Bolt
16	196-802	1/2" x 1/2" Socket Set Screw
6	116-604	3/8" x 1" Hex Head Bolt
6	226-601	3/8" Lock Nut
4	226-501	5/16" Lock Nut
1	416-400	1/4" Socket Key

1 CTN	4 PIPE	5 TOTAL PCS	WT 110#	CLASS 70
-------	--------	-------------	---------	----------

## 561-451 Combination Goal with Net Supports (Pair)

Page 2  
Rev. 05/20/08

### ASSEMBLY INSTRUCTIONS

**NOTE:** All threaded ends of bolts protruding beyond nuts must be cut off and/or peened to eliminate sharp edges. No more than two threads should extend beyond face of nut.  
All washers, "T" nuts, and other fastener hardware used on round pipe or tubing must be hammered down to conform to the curved underlying surface to eliminate catch points.

**DO NOT** tighten nuts more than hand-tight until entire assembly is completed.

STEP #1: Mark and dig footing holes

STEP #2: Place 563-614 Uprights in Footing Holes.

Brace uprights so that the bottom does not rest on the footing hole bottom. Make sure uprights are level. At least 2'0" of upright should be in footing hole.

STEP #3: Pour footings using:

12 - 80lb. Bags Pre-Mix Cement - 3 bags per hole.

Be sure to 'cone' the top of the pour for drainage.

STEP #4: Attach 563-314 Frame using:

6 - 116-604 Hex Bolts

6 - 226-601 Lock Nuts

See Frame Attachment Detail A and B.

STEP #5: Attach 563-215 Posts onto Frames using:

8 - 196-802 Socket Set Screws

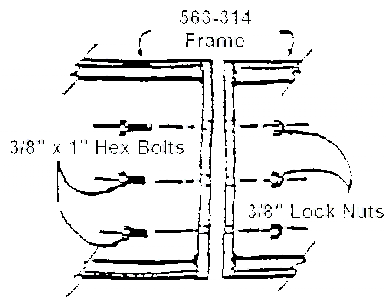
## 561-451 Combination Goal with Net Supports (Pair)

Page 3  
Rev. 05/20/08

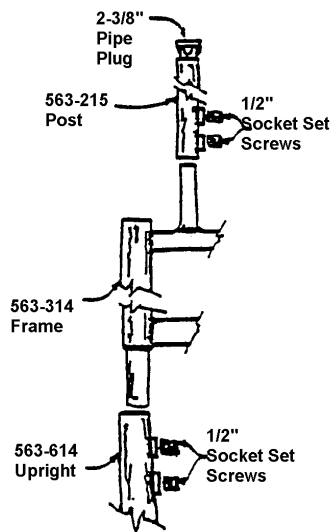
STEP #6: Attach 563-604 Net Support using:

- 8 - 425-517 T-Clamps
- 4 - 116-604 Hex Head Bolts
- 8 - 226-601 Lock Nuts

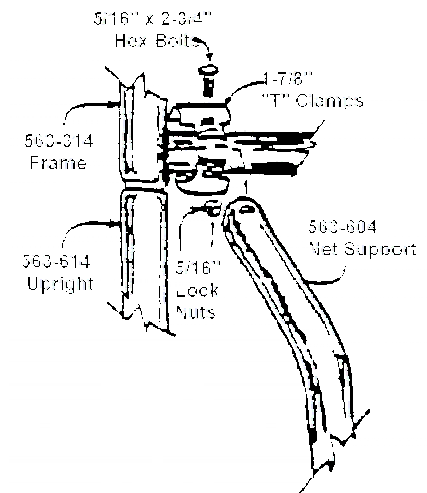
Place end opposite T Clamped end (see net support attachment detail C) into remaining footing holes.



Frame Attachment Detail "A"



Frame Attachment Detail "B"



Net Support Attachment Detail "C"

STEP #7: Mix and pour Pre-Mix concrete into net support footing holes

NOTES: Wait 48 hours for concrete to harden before using unit.

DO NOT install where overhead electrical wires are present.

### MAINTENANCE INSTRUCTIONS:

Check periodically for loose bolts, broken parts and replace immediately.